

## ELPAC MTA040 SERIES

40 Watt  
Medical Open Frame Power Supply

- Safety Approval - EN60601-1 Class I
- Hold-up Time >10ms
- Floating Output
- EISA, CEC Compliant
- 5-Year Limited Warranty
- Lifetime Expectation >5 years



Model Number	Output Voltage	Output Current	Peak Current <sup>1</sup>	Total Regulation <sup>2</sup>	Typical Efficiency <sup>3</sup>
MTA040009A	9.0V	4.4A	5.3A	±5%	85%
MTA040012A	12.0V	3.3A	4.0A	±5%	87%
MTA040015A	15.0V	2.7A	3.2A	±5%	88%
MTA040024A	24.0V	1.7A	2.0A	±5%	87%

### Notes

- 1) Maximum peak load (48W) lasting 500ms with a maximum 10% duty cycle.
- 2) Includes initial setting, line regulation, load regulation, and thermal drift.
- 3) Typical at 115VAC

INPUT	
Input Voltage	85 – 264VAC 100 – 240VAC Nominal
Input Frequency	47 – 63Hz
Input Current	<1.0A rms
Inrush Current	<37A at 230VAC cold start
Zero Load Power Consumption	<0.3W
Earth Leakage Current (Typical)	<5mA @ 264VAC / 60Hz @NC
	<10mA @ 264VAC / 60Hz @SFC
Touch Leakage Current	<100µA @ 264VAC / 60Hz @NC
	<500µA @ 264VAC / 60Hz @SFC

OUTPUT	
Output Voltage	See Table
Total Regulation	+/-5%
Minimum Load	No minimum load required
Start-Up Delay	<1.5s
Hold-Up Time	>10ms
Ripple & Noise	<1% pk-pk **
Over Voltage Protection	112 – 135%
Over Temperature Protection	First Stage - Recoverable; plus 2nd stage - Non Recoverable
Over Current Protection	108 – 180%
Short Circuit Protection	Shutdown, auto-restart (hiccup mode)

### Notes

\*\*Ripple and noise measured with 20MHz bandwidth; 10µF tantalum capacitor in parallel with a 0.1µF ceramic capacitor.

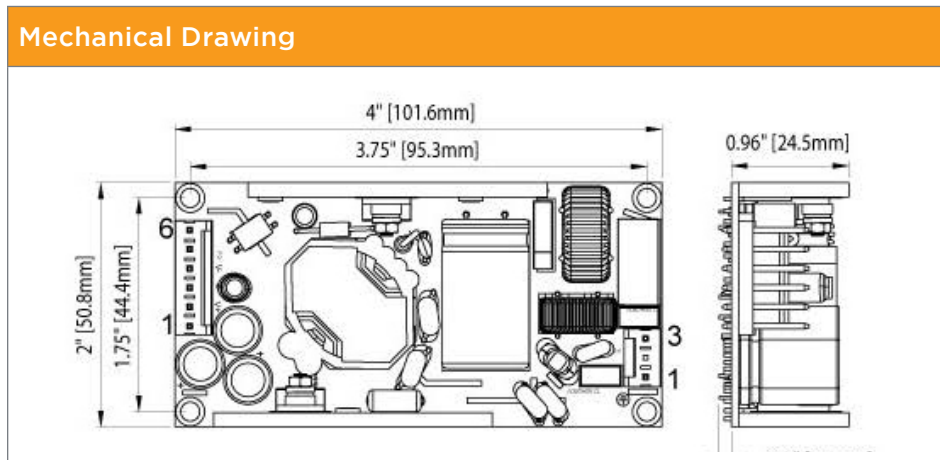
# ELPAC MTA040 SERIES

## 40 Watt

### Medical Open Frame Power Supply

General		Environmental		EMC & Safety	
Efficiency	Avg. Efficiency 87.1% @ 115VAC; 87.1% @ 230VAC	Operating Temperature	0 – 70°C (Full load to 50°C, derate linearly to 50% load at 70°C)	Emissions	FCC class B, EN60601-1-2/ EN55011 class B EN61000-3-2, -3
MTBF	min. 200,000 hours demonstrated	Storage Temperature	-40°C to +85°C	Immunity	EN61000-4-2, -3, -4, -5, -6, -11,
Size	4.00" (101.6mm) x 2.00" (50.81mm) x 0.99" (25.2mm)	Relative Humidity	5-95%, non-condensing	Certified by TUV to the following:	cTUVus
Weight	.029 lbs (0.13 Kg)	Cooling	Natural Convection		ANSI/AAMI ES60601-1:2005+A2(R2012)+A1
Power Density	5.6W/in <sup>3</sup>	Vibration	Using MIL-STD-810G vibration of Figure 514.6C-1 and the value of Table 514.6C-II, test duration shall be one hour in each axis.		CAN/CSA-C22.2 No.60601-1-1:14
					CB per IEC60601-1(Edition 3.1)
					CE is marked based on LVD and CE EMC

Input Configuration		Output Configuration		Input Pin Assignments	
Mating Connector	AMP p/n 640250-3 (or equivalent)	Connector (PSU side)	AMP p/n 640445-6 (or equivalent)	Pin 1	AC Line
Connection on Power Supply Body	AMP p/n 640445-3 (or equivalent)	Mating Connector	AMP p/n 640250-6 (or equivalent)	Pin 2	<not assembled>
				Pin 3	AC neutral



### Output Pin Assignments

Pin 1	+V1
Pin 2	+V1
Pin 3	Return
Pin 4	Return
Pin 5	No Connection
Pin 6	No Connection